

Doers Window
MANUFACTURING
4901 Oak Fair Blvd., Tampa, FL 33610

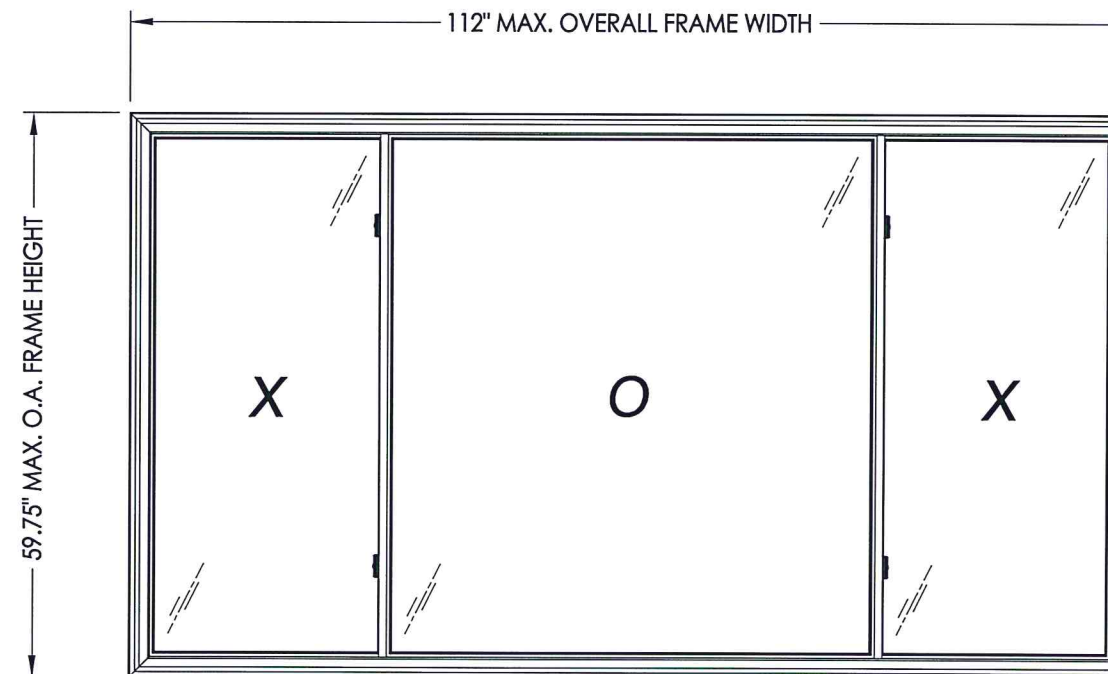
Sashlite - 3 Slider XOX

"NON-IMPACT"

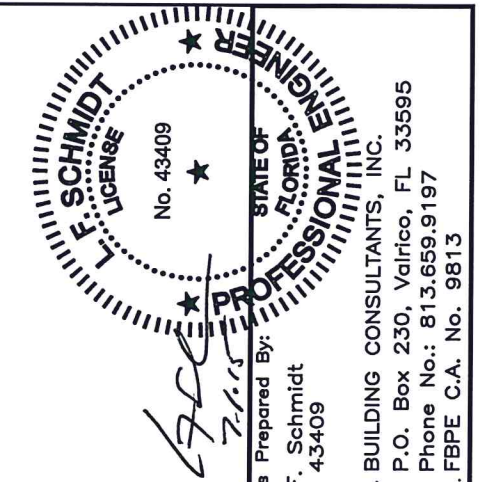
GENERAL NOTES

1. This product anchoring drawing has been evaluated and is in compliance with the 5th Edition (2014) Florida Building Code (FBC) excluding the "High Velocity Hurricane Zone" (HVHZ). See the Certification Agency Certificate for sizes, specifications & ratings.
2. Product anchors shall be as listed and spaced as shown on details. Anchor embedment to base material shall be beyond wall dressing or stucco.
3. When used in areas requiring wind borne debris protection this product is required to be protected with an impact resistant covering that complies with Section 1609.1.2 of the FBC.
4. Site conditions that deviate from the details of this drawing require further engineering analysis by a licensed engineer or registered architect.

TABLE OF CONTENTS	
SHEET#	DESCRIPTION
1	Typical elevations, design pressures & general notes
2	Vertical & horizontal cross sections
3	Buck & frame anchoring
4	Components
5	Bill of materials and glazing details



MAX. OVERALL FRAME DIMENSION	MAX DAY LITE DIMENSION (OPERABLE)	MAX DAY LITE DIMENSION (FIXED)	GLASS TYPE	DESIGN PRESSURE (PSF)	
				POS.	NEG.
112.0" X 59.75"	25.5" X 53.5"	52.0" X 53.5"	G1	+25.0	-30.0



Documents Prepared By:
Lyndon F. Schmidt
P.E. No. 43409

RW
BUILDING CONSULTANTS, INC.
P.O. Box 230, Valrico, FL 33595
Phone No.: 813.659.9197
FBPE C.A. No. 9813

PRODUCT: Doers

PART OR ASSEMBLY:
TYPICAL ELEVATION, DESIGN PRESSURES & GENERAL NOTES

NO.	DATE	DESCRIPTION	BY
1	6/25/15	UPDATE TO 5TH ED. (2014) FBC	LFS

DATE: 4/17/12

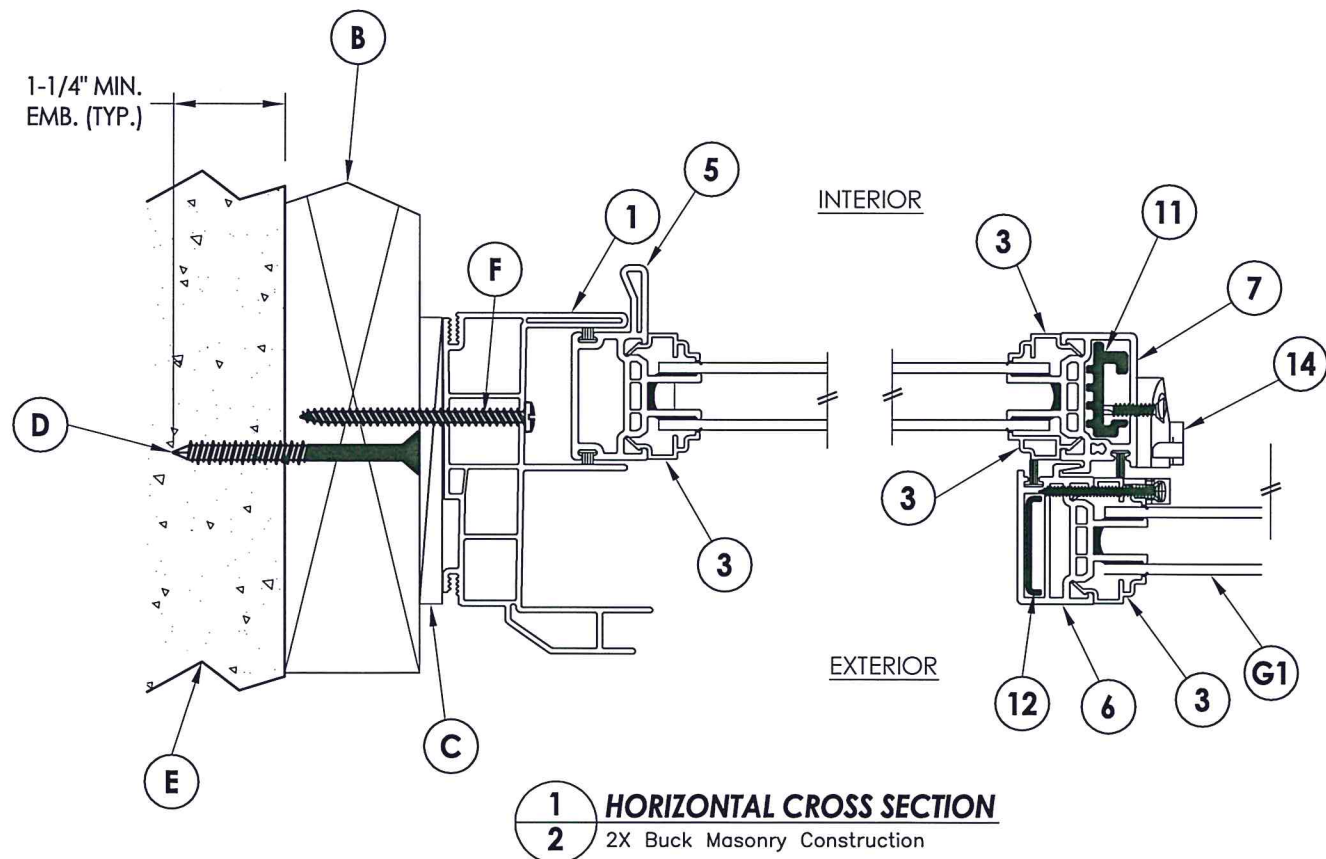
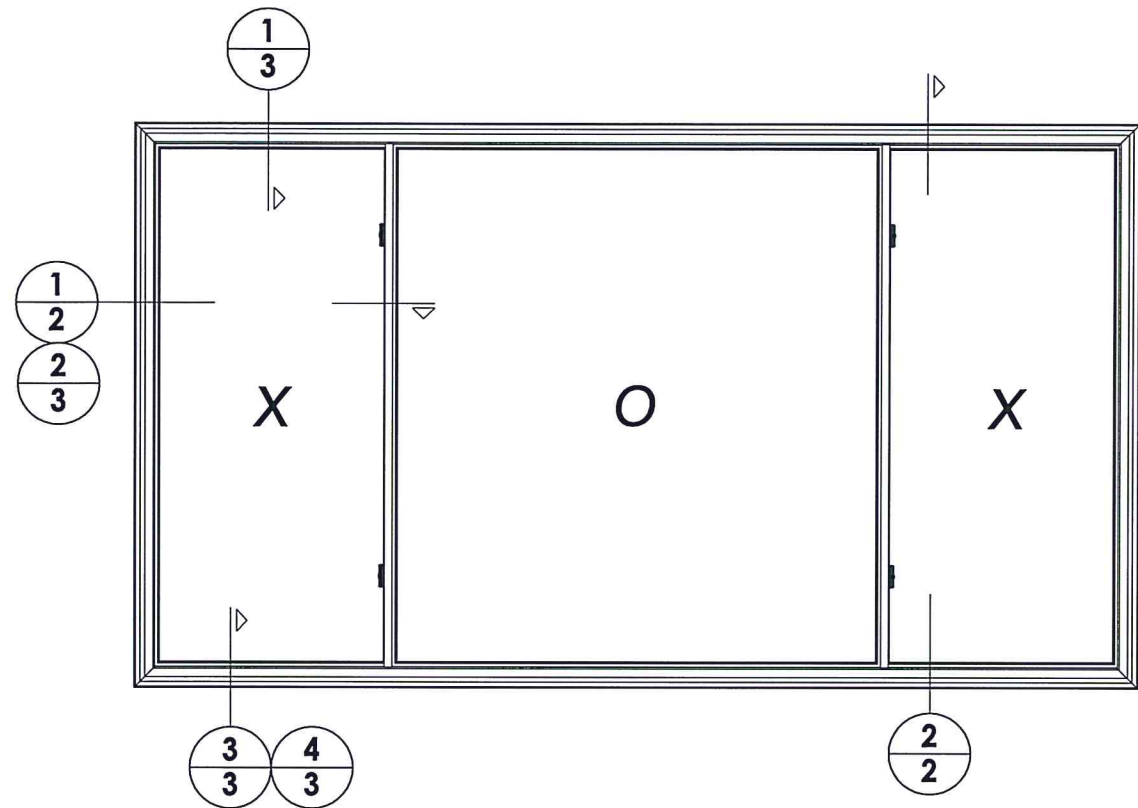
SCALE: N.T.S.

DWG. BY: JK

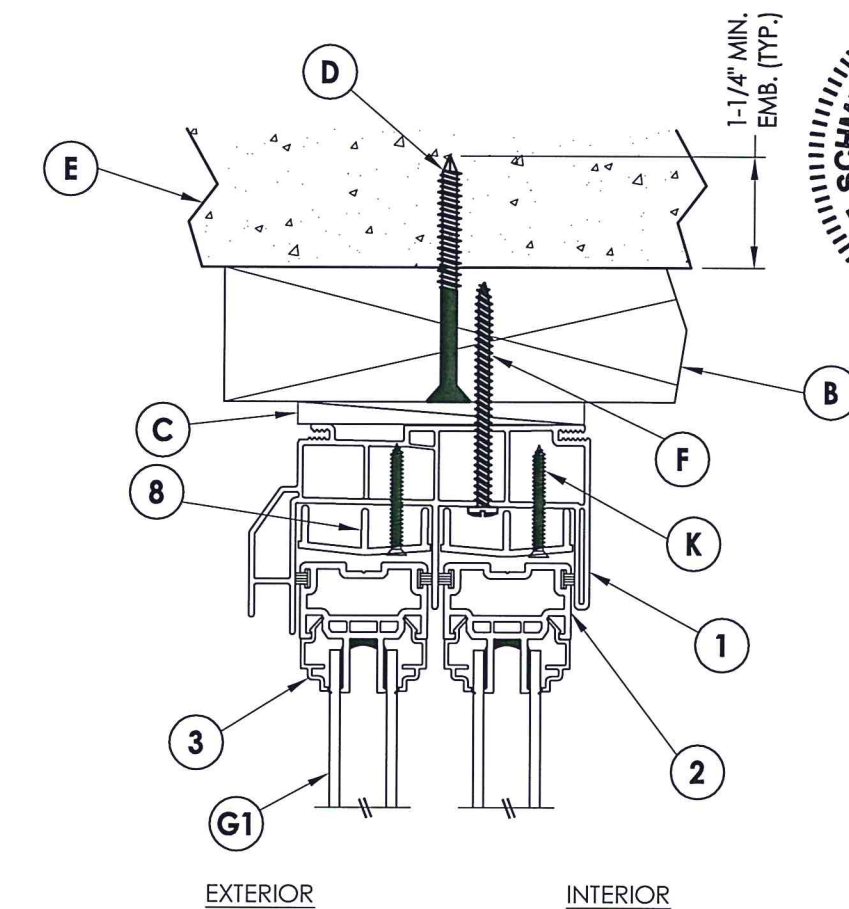
CHK. BY: LFS

DRAWING NO.: FL-16853.20

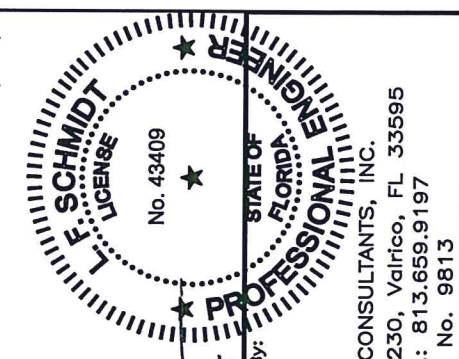
SHEET 1 OF 5



1 HORIZONTAL CROSS SECTION
2 2X Buck Masonry Construction



2 VERTICAL CROSS SECTION
 2X Buck Masonry Construction

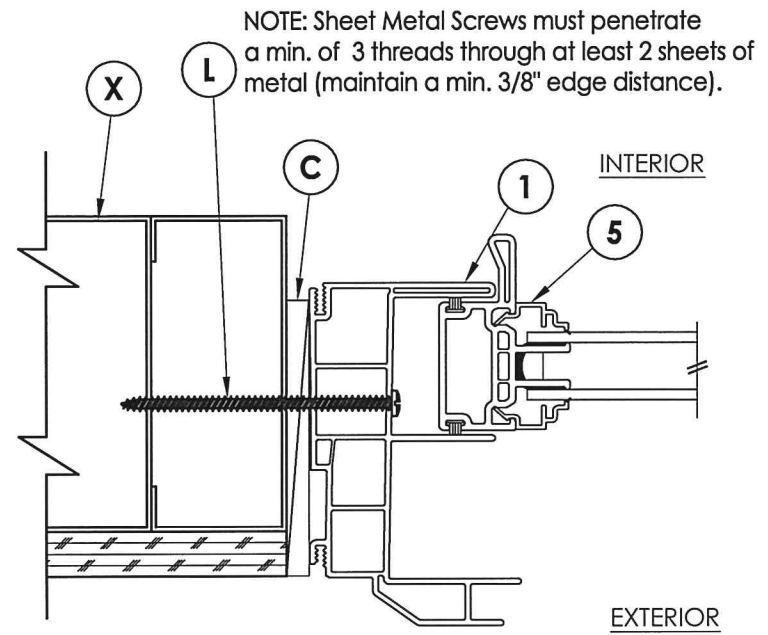


7-1-15
 17-1-15

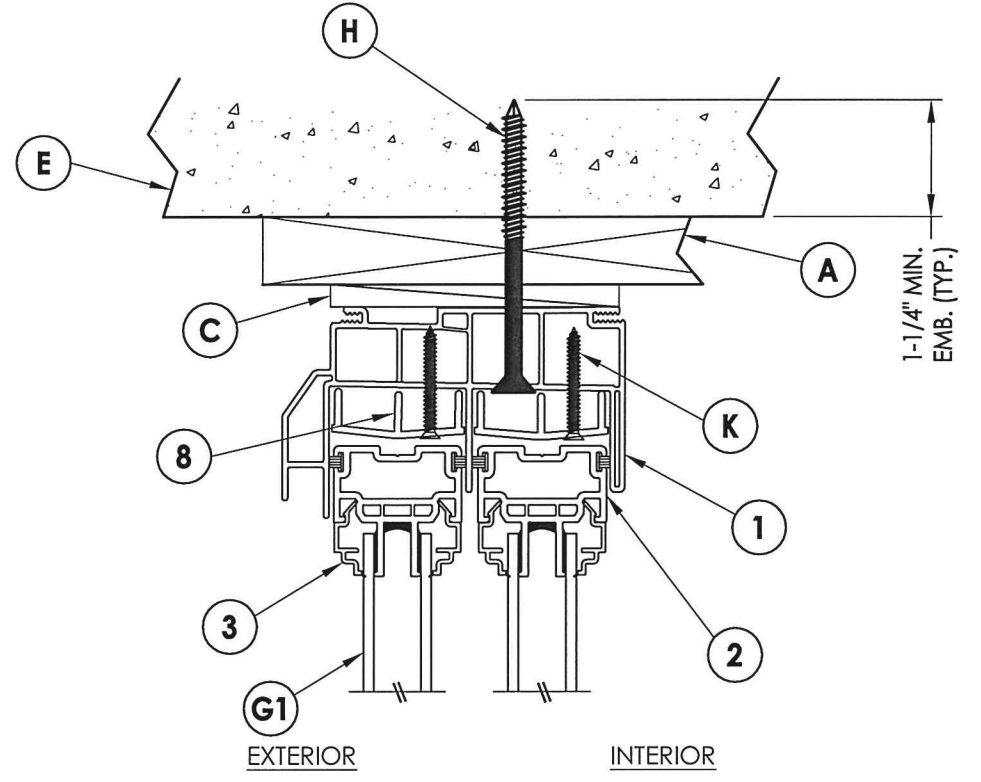
Documents Prepared By:
 Lyndon F. Schmidt
 P.E. No. 43409

RW BUILDING CONSULTANTS, INC.
 P.O. Box 230, Valrico, FL 33595
 Phone No.: 813.659.9197
 FBPE C.A. No. 9813

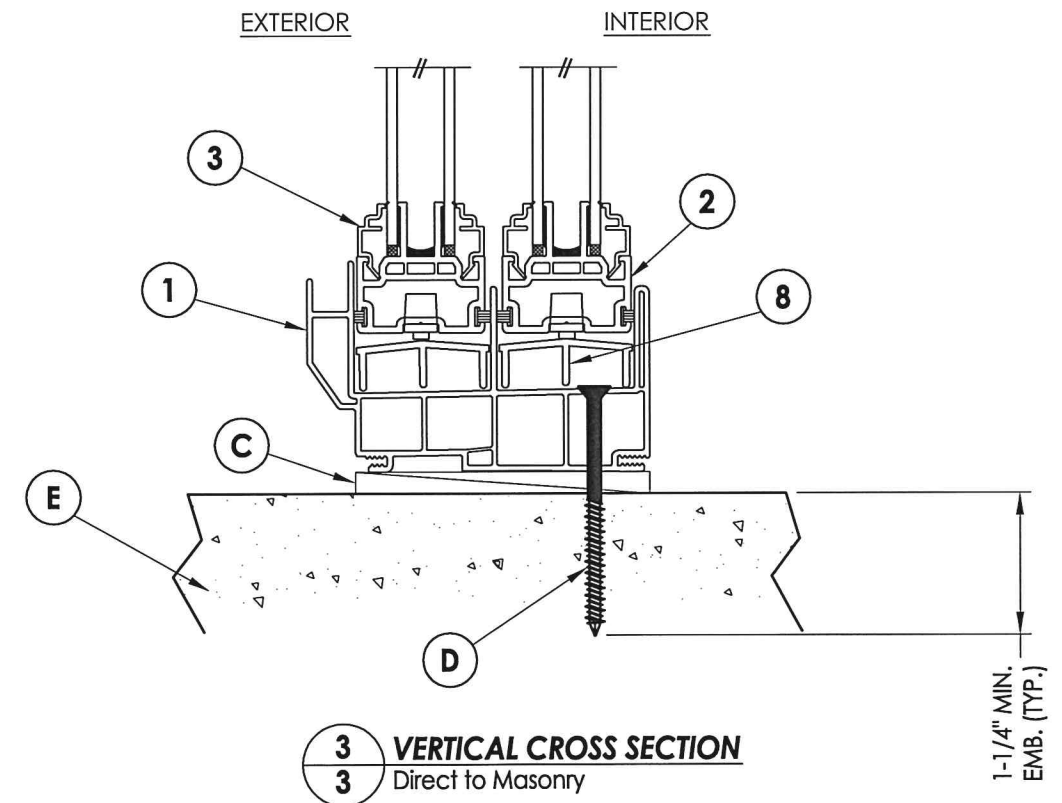
PRODUCT:	HORIZONTAL SLIDER	
PART OR ASSEMBLY:	VERTICAL & HORIZONTAL CROSS SECTIONS	
DATE:	4/17/12	
SCALE:	N.T.S.	
DWG. BY:	JK	
CHK. BY:	LFS	
DRAWING NO.:	FL-16853.20	
SHEET	2 OF 5	
NO.	DATE	REVISIONS
1	6/25/15	UPDATE TO 5TH ED. (2014) FBC LFS BY



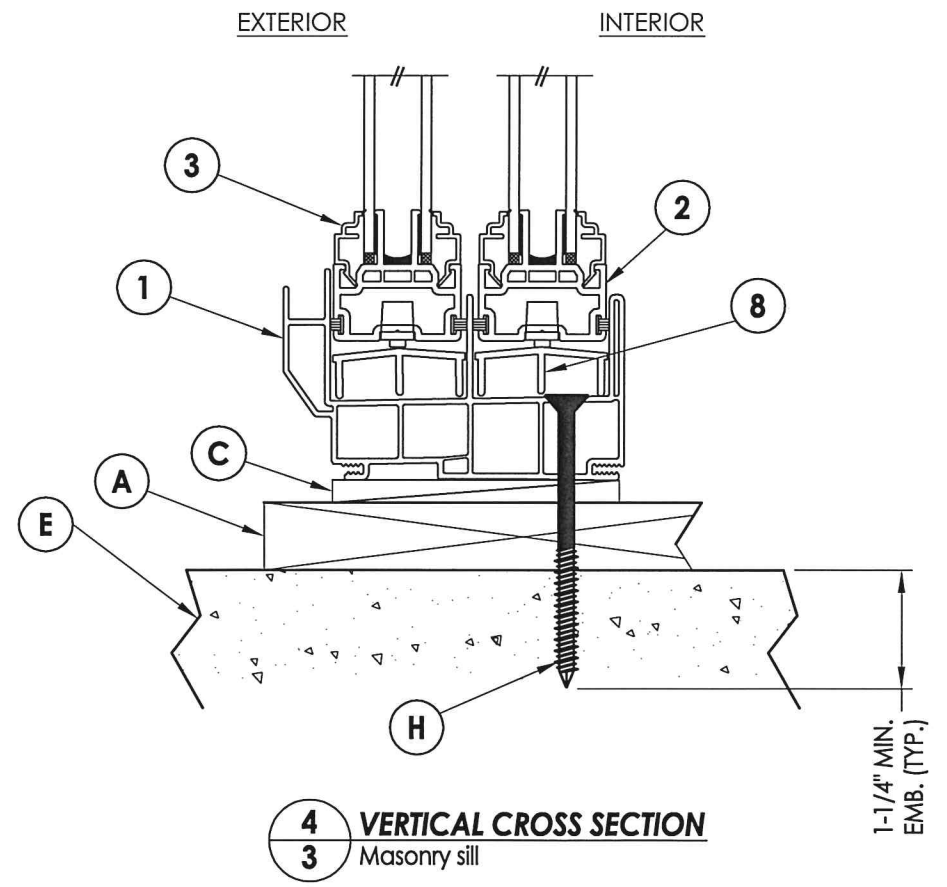
2 HORIZONTAL CROSS SECTION
3 Steel Stud Construction



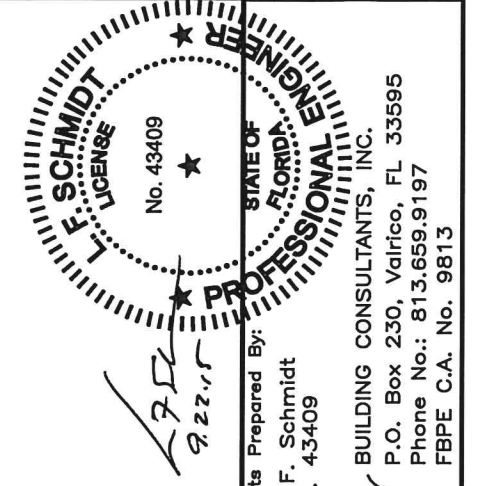
1 VERTICAL CROSS SECTION
3 1X Buck Masonry Construction



3 VERTICAL CROSS SECTION
3 Direct to Masonry

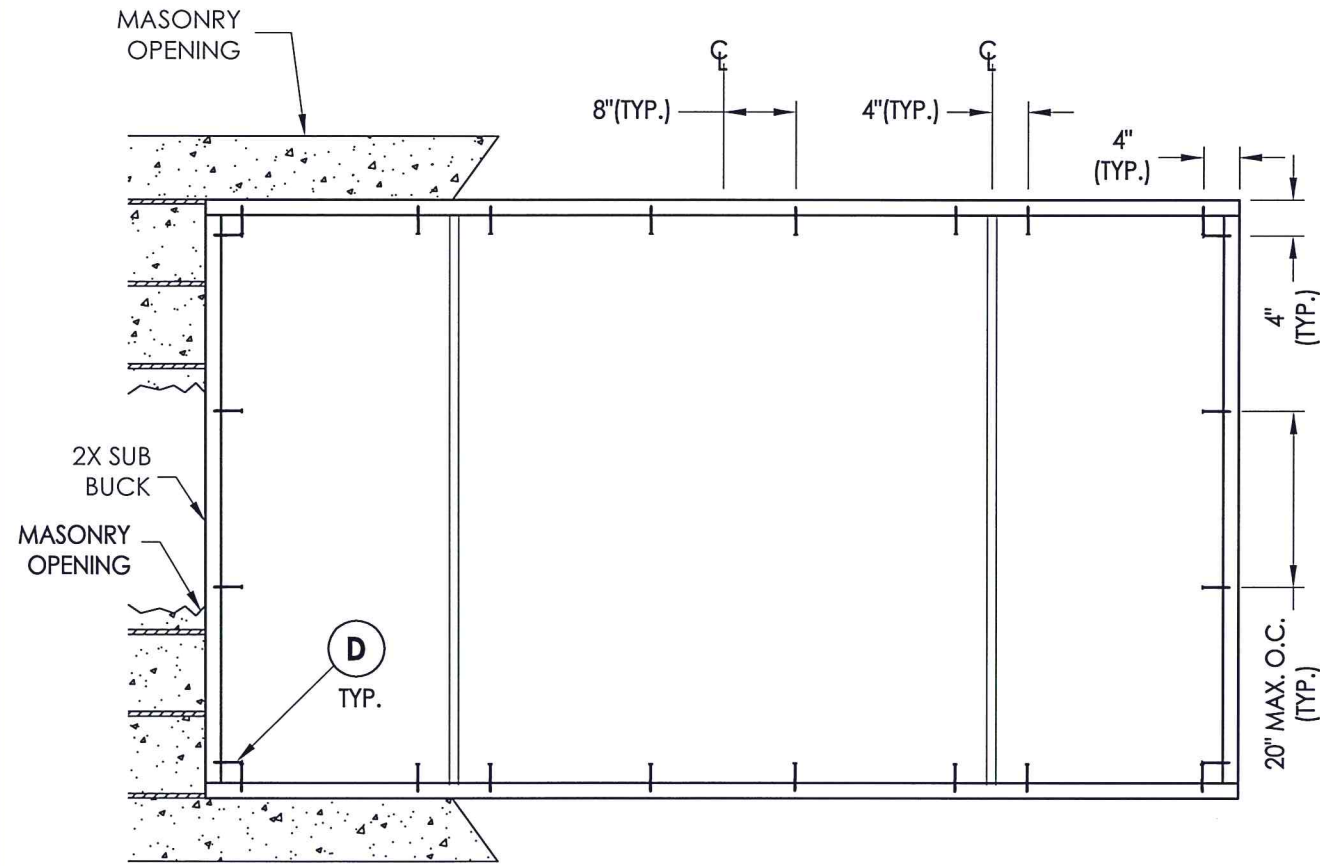


4 VERTICAL CROSS SECTION
3 Masonry sill

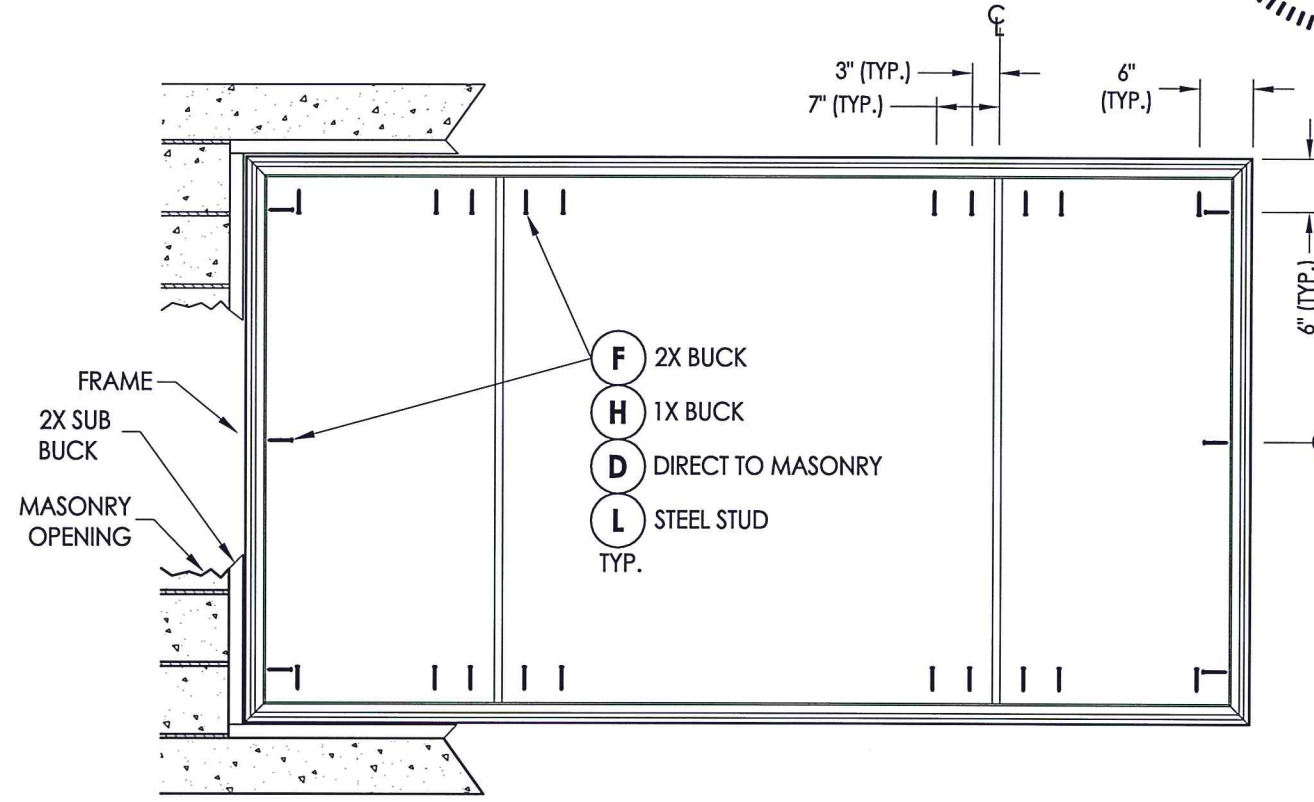


Documents Prepared By:
 Lyndon F. Schmidt
 P.E. No. 43409
 R.W. BUILDING CONSULTANTS, INC.
 P.O. Box 230, Valrico, FL 33595
 Phone No.: 813.659.9197
 FBPE C.A. No. 9813

PRODUCT:	HORIZONTAL SLIDER		
PART OR ASSEMBLY:	VERTICAL & HORIZONTAL CROSS SECTIONS		
DATE	NO.	DATE	BY
4/17/12	1	6/25/15	LFS
REVISIONS			
DATE:	4/17/12		
SCALE:	N.T.S.		
DWG. BY:	JK		
CHK. BY:	LFS		
DRAWING NO.:	FL-16853.20		
SHEET	3	OF	5



BUCK ANCHORING



FRAME ANCHORING

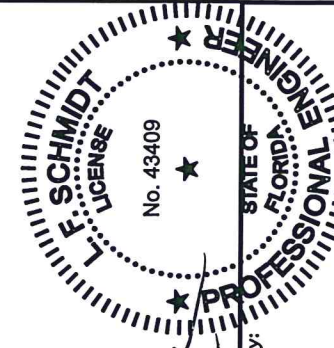
CONCRETE ANCHOR NOTES:

1. Concrete anchor locations at the corners may be adjusted to maintain the min. edge distance to mortar joints.
2. Concrete anchor locations noted as "MAX. ON CENTER" must be adjusted to maintain the min. edge distance to mortar joints, additional concrete anchors may be required to ensure the "MAX. ON CENTER" dimension are not exceeded.
3. Concrete anchor table:

ANCHOR TYPE	ANCHOR SIZE	MIN. EMBEDMENT	MIN. CLEARANCE TO MASONRY EDGE	MIN. CLEARANCE TO ADJACENT ANCHOR
ITW TAPCON®	1/4"	1-1/4"	2"	4"
ELCO ULTRACON®	1/4"	1-1/4"	1"	4"

WOOD SCREW INSTALLATION NOTES:

1. Maintain a minimum 5/8" edge distance, 1" end distance, & 1" o.c. spacing of wood screws to prevent the splitting of wood.



Documents Prepared By:
Lyndon F. Schmidt
P.E. No. 43409

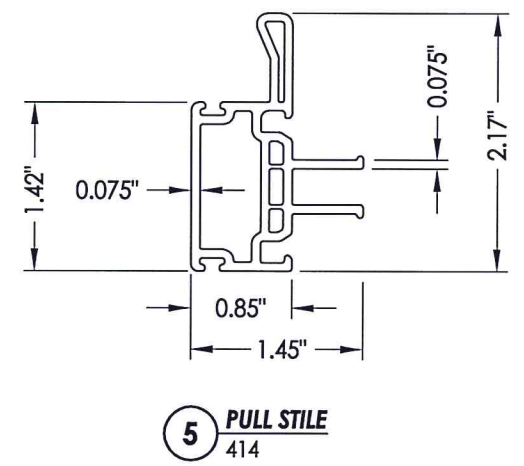
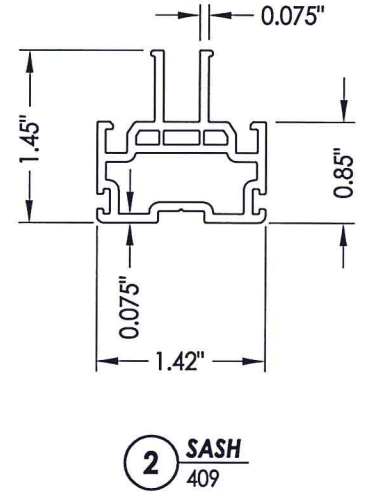
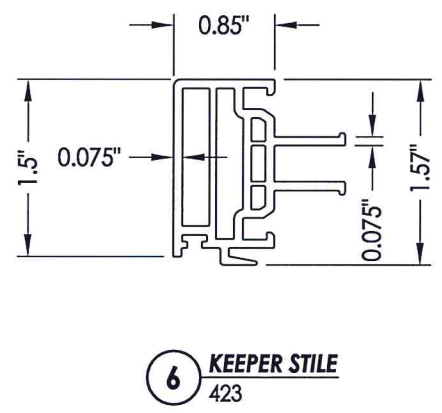
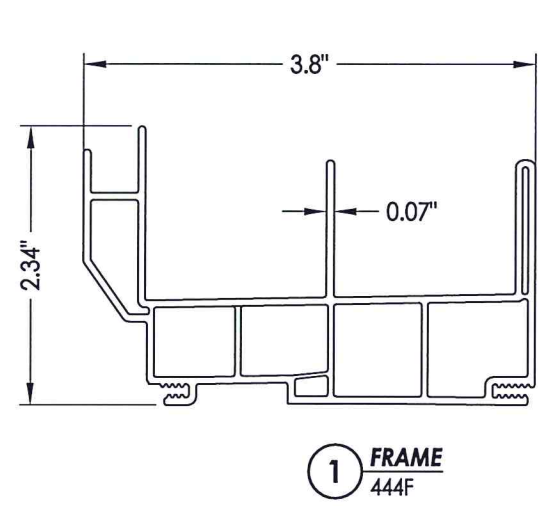
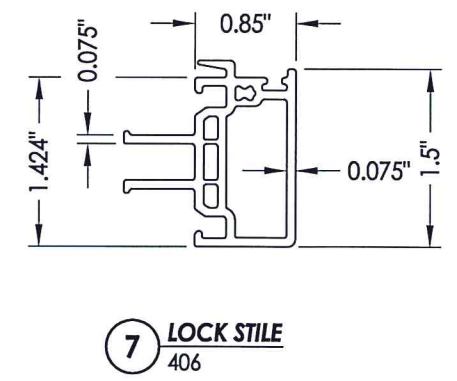
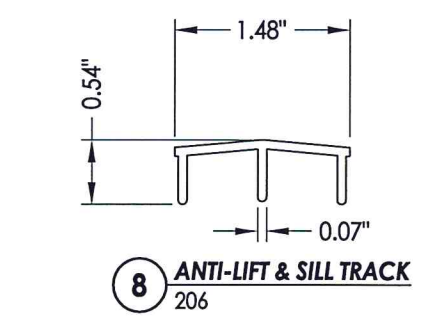
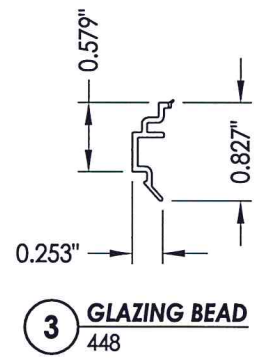
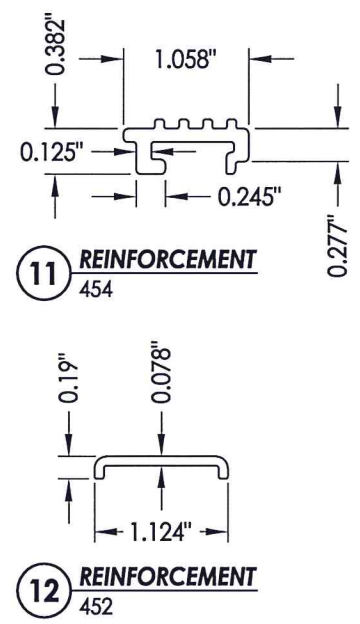
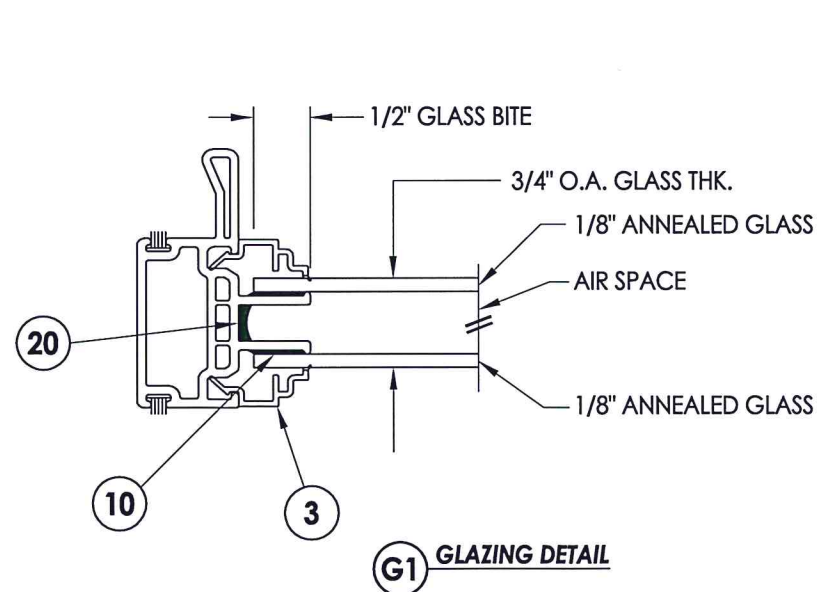
RW BUILDING CONSULTANTS, INC.
P.O. Box 230, Valrico, FL 33595
Phone No.: 813.659.9197
FBPE C.A. No. 9813

PRODUCT:	Doers
PART OR ASSEMBLY:	BUCK & FRAME ANCHORING
DATE:	4/17/12
SCALE:	N.T.S.
DWG. BY:	JK
CHK. BY:	LFS
DRAWING NO.:	FL-16853.20
SHEET	4 OF 5
NO.	1
DATE	6/25/15
BY	LFS
REVISIONS	UPDATE TO 5TH ED. (2014) FBC

R:\Clients\Doers PERMANENT\Florida Product Approvals\FL-16853 Windows - Horizontal Sliders\C - Drawings\FL-16853.19-25.dwg, 5.20

BILL OF MATERIALS		
ITEM #	DESCRIPTION	MATERIAL
A	1X BUCK (SG >= 0.42)	WOOD
B	2X BUCK (SG >= 0.42)	WOOD
C	1/4" MAX. SHIM SPACE	-
D	1/4" X 2-3/4" PFH ELCO OR ITW CONCRETE SCREW	STEEL
E	MASONRY - 3,000 PSI MIN. CONCRETE CONFORMING TO ACI 301 OR HOLLOW BLOCK CONFORMING TO ASTM C90	CONCRETE
F	#10 X 2-1/2" PPH SMS (1-3/8" MIN. EMBEDMENT)	STEEL
H	1/4" X 3-1/4" PFH ELCO OR ITW CONCRETE SCREW	STEEL
K	#6 X 1-1/4" PFH SMS	STEEL
L	#10 PPH SELF-DRILLING SMS	STEEL
X	STEEL STUD Min. Thk .033" (ASTM A653 GRADE 33 Fy=33 ksi min., Fu=45 ksi min.)	STEEL
1	FRAME *	PVC
2	RAIL *	PVC
3	GLAZING BEAD *	PVC
4	GLASS SETTING BLOCK (1/8" X 1" X 1/8")	PVC
5	PULL STILE*	PVC
6	KEEPER STILE*	PVC
7	MEETING STILE*	PVC
8	ANTI-LIFT & SILL TRACK*	PVC
10	GLAZING SILICONE (SashSeal)	-
11	REINFORCEMENT (6065-T5)	ALUM
12	REINFORCEMENT (6065-T5)	ALUM
14	LOCK ASSEMBLY (TRUTH)	STEEL
20	LIQUID APPLIED DESICCANT (SashDri)	-

* THE APPROVED WHITE RIGID PVC EXTERIOR EXTRUSIONS FOR WINDOWS ARE TO BE PRODUCED BY EXTRUDERS LICENSEES IN "AAMA CERTIFICATION PROGRAMS FOR RIGID PVC EXTRUSIONS".



F. SCHMIDT
P.E. LICENSE
No. 43409
STATE OF FLORIDA
PROFESSIONAL ENGINEER

Documents Prepared By:
Lyndon F. Schmidt
P.E. No. 43409

R.W. BUILDING CONSULTANTS, INC.
P.O. Box 230, Valrico, FL 33595
Phone No.: 813.659.9197
FBPE C.A. No. 9813

PRODUCT:	HORIZONTAL SLIDER
PART OR ASSEMBLY:	BILL OF MATERIALS, GLAZING DETAIL & COMPONENTS
DATE:	4/17/12
SCALE:	N.T.S.
DWG. BY:	JK
CHK. BY:	LFS
DRAWING NO.:	FL-16853.20
SHEET	5 OF 5

NO.	DATE	REVISIONS
1	6/25/15	UPDATE TO 5TH ED. (2014) FBC
		LFS
		BY

© 2014 R.W. BUILDING CONSULTANTS INC.